

# Grip NxT

## Chair with four leg base

Design — Mikko Halonen



---

Grip NxT is a light and sturdy universal chair for schools. The chair is stackable and a transport and storage trolley is available. The chair without upholstery can be hung from its back on a tabletop without a separate hanger. The chair has two backrest heights.



---

### MATERIAL DESCRIPTION:

**Base:** painted grey, white, black or Inspiring Colours

Felt or plastic glides, row connection available

**Form-pressed seat and high backrest in laminate:**

oak or birch pattern, white, grey, Apricot Nude, Sand Yellow or Sage Green

**Form-pressed low backrest in laminate:** white or grey

Upholstered seat cushion also available

---

### PRODUCT CODE NUMBER:

**NxT0011(C)** = high backrest with lifting hole

**NxT0011M(C)** = low backrest

**C** = upholstered seat

---

### ACCESSORIES:

Felt glides

Row connection

Transport trolley

---

### FABRIC CONSUMPTION:

0.5 m / 2 pcs

---

### STACKABILITY:

**NxT0011:** In chair trolley max 18 pcs

**NxT0011C:** In chair trolley max 16 pcs

**NxT0011M:** In chair trolley max 18 pcs

**NxT0011MC:** In chair trolley max 16 pcs

---

### WEIGHT:

**NxT0011:** 4.5 kg

**NxT0011C:** 4.8 kg

**NxT0011M:** 4.2 kg

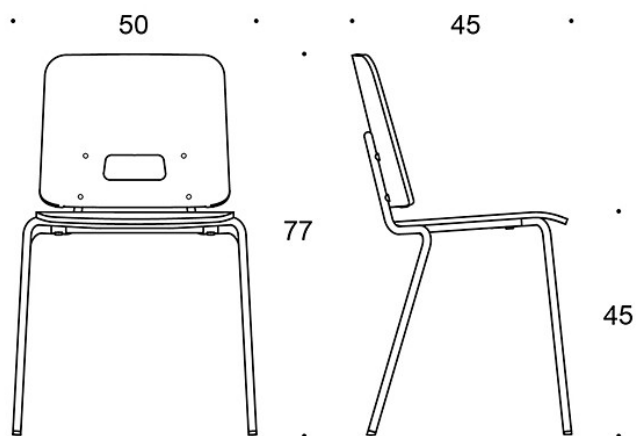
**NxT0011MC:** 4.5 kg

---

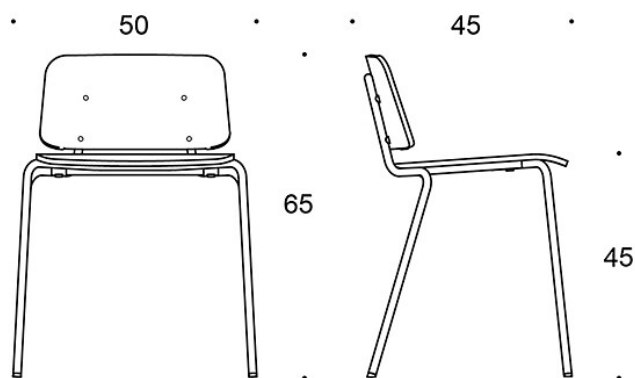
### FEATURES:

- chair can be hung without a separate fitting
- cannot be hung on Trivia OP1311 and OP1321 school tables
- stackable

Dimensional drawing:

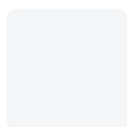


NXT0011

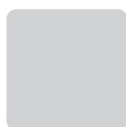


NXT0011M

Standard materials:



L11



L43



HPL233



HPL124



HPL213



KL



TL1